



ColdTech – Culinary Coolness

Highlights:

- Solid, durable, one door, high grade, 300 series, stainless steel interior & exterior (except backs) providing commercial kitchens with a long-lasting, easy to clean freezer.
- Digital temperature controls on the outside of the unit for easy programming.
-22° C to -18° C/-8° F to 0° F
- The **ColdTech Commercial** Warranty: 3 years bumper-to-bumper & a total of 5 years warranty on the compressor. Call **ColdTech Commercial** directly for repairs & service 24/7/365. It's the best warranty in commercial refrigeration.
- We make it easy. Recessed door handles for easy cleaning, bottom-mounted compressor for easy access, auto-defrost, & free standing with four, black casters for easy moving.
- Energy Star rated to help maximize your energy and dollar savings.
- Three movable, plastic coated, steel shelves holding up to 80 kg/176.4 lbs each and internal incandescent lighting.

Stainless Steel Single Door Commercial Freezer CRF229-1



Features:

- Large gross capacity of 23 cu. ft./ 650 L to get the maximum amount of refrigeration per cabinet size.
- Ventilated cooling system.
- North American standard safety & sanitation.
- Stainless steel drip tray under the evaporator.
- Net weight :151 kg/332.9 lbs & Gross weight: 168 kg/370.4 lbs
- Efficient condenser and evaporator made from copper piping with aluminum fin for faster cooling and superior efficiency.
- Bottom mounted sealed systems for cooler operating environment allowing your compressor to work less to keep consistent cool.
- Housing and liner material are durable, food safety friendly, high quality, 300 series stainless steel .
- Temperature ranges from -22° C to -18° C/-8° F to 0° F



Watch Our Videos Online:
ColdTechCommercial.com/Videos

Stainless Steel

Solid, Durable high grade, 300-series, interior and exterior

Warranty

3 Years bumper to bumper & a total of 5 years warranty on the compressor

Digital Display

Digital temperature controls on the outside of the unit for easy programming

ColdTechCommercial.com
Toll free: 1-855-241-3251 FAX: 1-877-298-8278
email: info@coldtechcommercial.com





ColdTech – Culinary Coolness

Specifications:

Voltage: 115 volts/20 amp circuit

Amperage: 8.3 amps/604 W

Compressor Power: 621 W

Hp: 5/6 horsepower

dB: 65

Energy Consumption:
6.279 kw.h/24 h

Free Standing

Gross Capacity:
23 cu. ft. / 650 L

Refrigerant Type:
CFC Free R404a

Blowing Agent:
CFC Free polyurethane

Temperature Range:
• -22° C to -18° C
• -8° F to 0° F

Thermostat/Temperature Display:
Digital

Doors: Self closing, recessed handles, 300 series stainless steel

Shelving: Plastic coated steel holds up to 80 kg/176.4 lbs

Interior lighting:
1 incandescent yellow bulb

Casters: 4

Cord Length: 112 3/16"/2850 mm

Unit Dimensions (W x H x D):
736 mm x 2095 mm x 818 mm
29" x 82 1/2" x 32 3/16"

Carton Dimensions (W x H x D):
800 mm x 2140 mm x 880 mm
31 1/2" x 84 1/4" x 34 5/8"

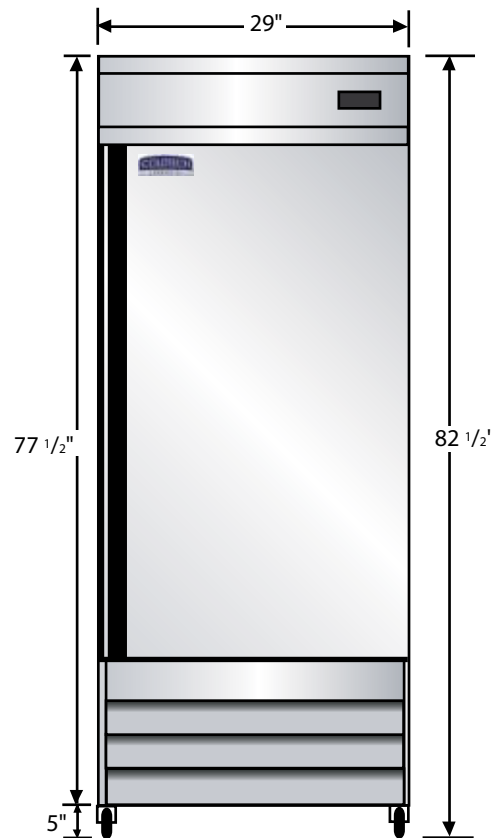
Shipping Cube:
54.03 cu.ft./1.53 cbm

Net Weight: 151 kg /332.9 lbs

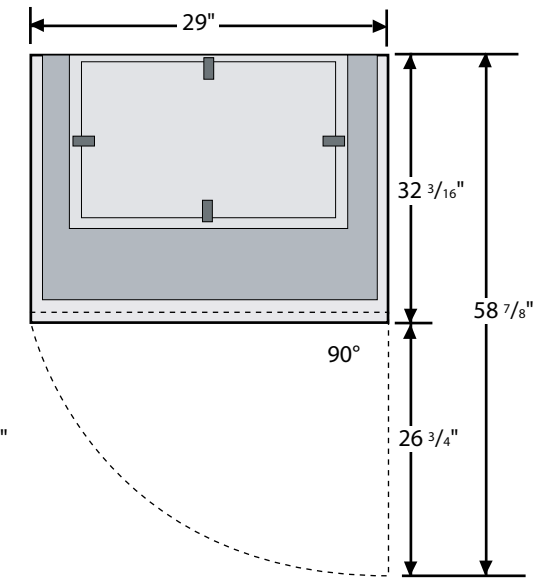
Gross Weight: 168 kg /370.4 lbs

Stainless Steel Single Door Commercial Freezer CRF229-1

Elevation:



Top View:



Plug:



Certifications:



Specifications subject to change without notice. 031512

ColdTechCommercial.com

Toll free: 1-855-241-3251 FAX: 1-877-298-8278

email: info@coldtechcommercial.com

