



# ColdTech – Culinary Coolness



## Highlights:

- Solid, durable, two door, high grade, 300 series, stainless steel interior & exterior (except backs) providing commercial kitchens with a long-lasting, easy to clean freezer.
- Digital temperature controls on the outside of the unit for easy programming.  
-22° C to - 18° C / -8° F to 0° F
- The **ColdTech Commercial** Warranty: 3 years bumper-to-bumper & a total of 5 years warranty on the compressor. Call **ColdTech Commercial** directly for repairs & service 24/7/365. It's the best warranty in commercial refrigeration.
- We make it easy. Recessed door handles for easy cleaning, bottom-mounted compressor for easy access, auto-defrost, & free standing with four, black casters for easy moving.
- Energy Star rated to help maximize your energy and dollar savings.
- Six movable, plastic coated, steel shelves holding up to 80 kg/176.4 lbs each and internal incandescent lighting.

## Stainless Steel Two Door Commercial Freezer CRF466-2



Watch Our Videos Online:  
[ColdTechCommercial.com/Videos](http://ColdTechCommercial.com/Videos)

## Features:

- Large gross capacity of 47 cu. ft. / 1321 L to get the maximum amount of refrigeration per cabinet size.
- Ventilated cooling system.
- North American standard safety & sanitation.
- Stainless steel drip tray under the evaporator.
- Net weight 225 kg/496 lbs & Gross weight 254 kg/560 lbs
- Efficient condenser and evaporator made from copper piping with aluminum fin for faster cooling and superior efficiency.
- Bottom mounted sealed systems for cooler operating environment allowing your compressor to work less to keep consistent cool.
- Housing and liner material are durable, food safety friendly, high quality, 300 series stainless steel.
- Temperature ranges from -22° C to - 18° C / -8° F to 0° F

## Stainless Steel

Solid, Durable high grade, 300-series, interior and exterior

## Warranty

3 Years bumper to bumper & a total of 5 years warranty on the compressor

## Digital Display

Digital temperature controls on the outside of the unit for easy programming

ColdTechCommercial.com  
Toll free: 1-855-241-3251 FAX: 1-877-298-8278  
email: [info@coldtechcommercial.com](mailto:info@coldtechcommercial.com)





# ColdTech – Culinary Coolness

## Specifications:

Voltage: 115 volts/20 amp circuit

Amperage: 9.9 amps/788 W

Compressor Power: 815 W

Hp: 1-1/6 horsepower

dB: 70

### Free Standing

Gross Capacity: 47 cu.ft./ 1321 L

Refrigerant Type:

CFC Free R404a

Blowing Agent:

CFC Free polyurethane

Temperature Range:

• -22° C to - 18° C

• -8° F to 0° F

Thermostat/Temperature Display:

Digital

Doors: Self closing, recessed handles, 300 series stainless steel

Shelving: Plastic coated steel holds up to 80 kg/176.4 lbs

Interior Lighting:

1 incandescent yellow bulb

Casters: 4

Cord Length: 112 3/16"/2850 mm

Unit Dimensions (W x H x D):

1371 mm x 2095 mm x 818 mm

54" x 82 1/2" x 32 3/16"

Carton Dimensions (W x H x D):

1435 mm x 2140 mm x 880 mm

56 1/2" x 84 1/4" x 34 5/8"

Shipping Cube:

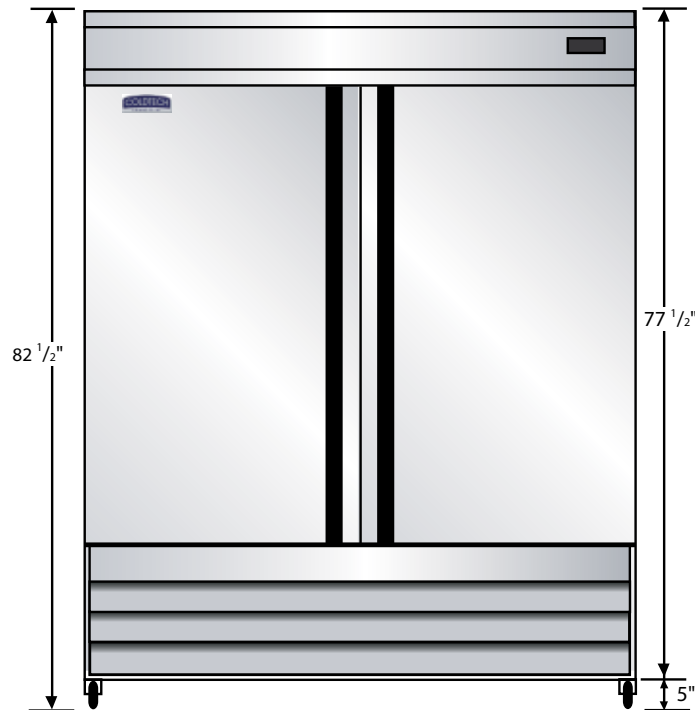
96.76 cu.ft./2.74 cbm

Net Weight: 225 kg /496 lbs

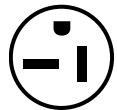
Gross Weight: 254 kg /560 lbs

## Stainless Steel Two Door Commercial Freezer CRF466-2

### Elevation:



Plug:

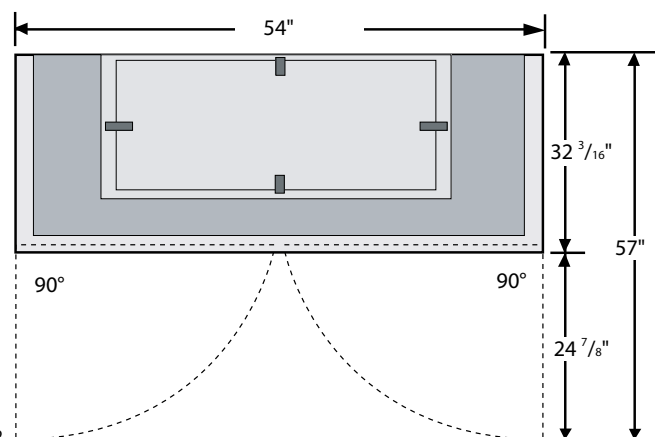


5-20p

Certifications:



### Top View:



Specifications subject to change without notice. 031512

ColdTechCommercial.com

Toll free: 1-855-241-3251 FAX: 1-877-298-8278

email: info@coldtechcommercial.com

