



ColdTech – Culinary Coolness

Stainless Steel Two Door Commercial Refrigerator CRR466-2



Highlights:

- Solid, durable, two door, high grade, 300 series, stainless steel interior & exterior (except backs) providing commercial kitchens with a long-lasting, easy to clean refrigerator.
- Digital temperature controls on the outside of the unit for easy programming.
1° C to 6° C/33° F to 43° F
- The **ColdTech Commercial** Warranty: 3 years bumper-to-bumper & a total of 5 years warranty on the compressor. Call **ColdTech Commercial** directly for repairs & service 24/7/365. It's the best warranty in commercial refrigeration.
- We make it easy. Recessed door handles for easy cleaning, bottom-mounted compressor for easy access, auto-defrost, & free standing with four, black casters for easy moving.
- Energy Star rated to help maximize your energy and dollar savings.
- Six movable, plastic coated, steel shelves holding up to 80 kg/176.4 lbs each and internal incandescent lighting.



Watch Our Videos Online:
ColdTechCommercial.com/Videos

Features:

- Large gross capacity of 47 cu. ft./1321 L to get the maximum amount of refrigeration per cabinet size.
- Ventilated cooling system.
- North American standard safety & sanitation.
- Stainless steel drip tray under the evaporator.
- Net weight: 218 kg/480.6 lbs & Gross weight: 247 kg/544.5 lbs
- Efficient condenser and evaporator made from copper piping with aluminum fin for faster cooling and superior efficiency.
- Bottom mounted sealed systems for cooler operating environment allowing your compressor to work less to keep consistent cool.
- Housing and liner material are durable, food safety friendly, high quality, 300 series stainless steel .
- Temperature ranges from 1° C to 6° C/33° F to 43° F

Stainless Steel

Solid, Durable high grade, 300-series, interior and exterior

Warranty

3 Years bumper to bumper & a total of 5 years warranty on the compressor

Digital Display

Digital temperature controls on the outside of the unit for easy programming

ColdTechCommercial.com
Toll free: 1-855-241-3251 FAX: 1-877-298-8278
email: info@coldtechcommercial.com





ColdTech – Culinary Coolness

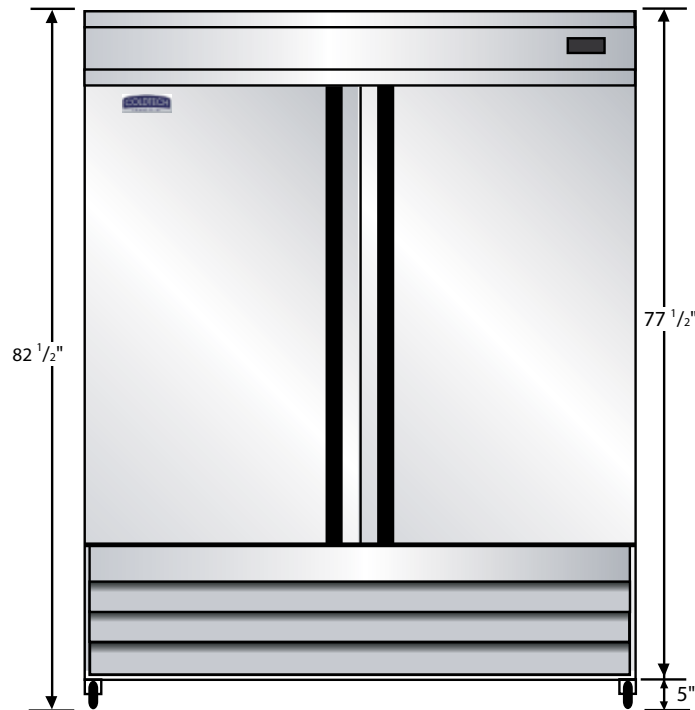


Specifications:

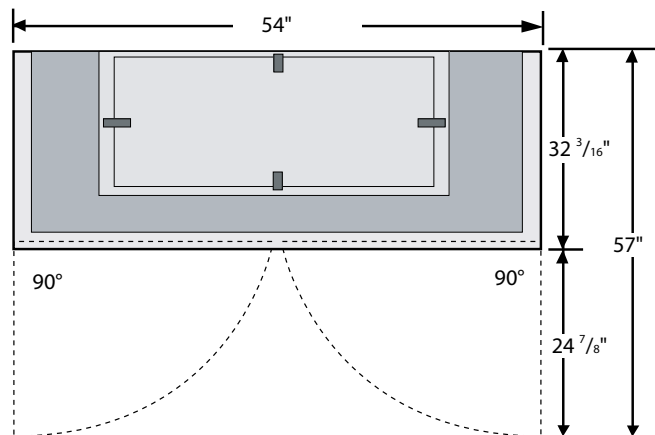
Voltage: 115 volts/20 amp circuit
 Amperage: 9.4 amps/765 W
 Compressor Power: 835 W
 Hp: 1-1/6 horsepower
 dB: 70
 Energy Consumption:
 2.57 kw.h/24 h
 Free Standing
 Gross Capacity:
 47 cu. ft./1321 L
 Refrigerant Type:
 CFC Free R134a
 Blowing Agent:
 CFC Free polyurethane
 Temperature Range:
 • 1° C to 6° C
 • 33° F to 43° F
 Thermostat/Temperature Display:
 Digital
 Doors: Self closing, recessed handles, 300 series stainless steel
 Shelving: Plastic coated steel holds up to 80 kg/176.4 lbs
 Interior lighting:
 1 incandescent yellow bulb
 Casters: 4
 Cord Length: 112 ³/₁₆" / 2850 mm
 Unit Dimensions (W x H x D):
 1371 mm x 2095 mm x 818 mm
 54" x 82 1/2" x 32 3/16"
 Carton Dimensions (W x H x D):
 1435 mm x 2140 mm x 880 mm
 56 1/2" x 84 1/4" x 34 5/8"
 Shipping Cube:
 96.76 cu.ft/2.74 cbm
 Net Weight: 218 kg /480.6 lbs
 Gross Weight: 247 kg /544.5 lbs

Stainless Steel Two Door Commercial Refrigerator CRR466-2

Elevation:



Top View:



Specifications subject to change without notice. 031512

Plug:



5-15p

Certifications:



ColdTechCommercial.com
 Toll free: 1-855-241-3251 FAX: 1-877-298-8278
 email: info@coldtechcommercial.com

