



# ColdTech – Culinary Coolness

## Highlights:

- Solid, durable, three door, high grade, 300 series, stainless steel interior & exterior (except backs) providing commercial kitchens with a long-lasting, easy to clean refrigerator.
- Digital temperature controls on the outside of the unit for easy programming.  
1° C to 6° C/33° F to 43° F
- The **ColdTech Commercial** Warranty: 3 years bumper-to-bumper & a total of 5 years warranty on the compressor. Call **ColdTech Commercial** directly for repairs & service 24/7/365. It's the best warranty in commercial refrigeration.
- We make it easy. Recessed door handles for easy cleaning, bottom-mounted compressor for easy access, auto-defrost, & free standing with four, black casters for easy moving.
- Energy Star rated to help maximize your energy and dollar savings.
- Nine movable, plastic coated, steel shelves holding up to 80 kg/176.4 lbs each and internal incandescent lighting.

## Stainless Steel Three Door Commercial Refrigerator CRR720-3



## Features:

- Large gross capacity of 72 cu. ft. / 2040 L to get the maximum amount of refrigeration per cabinet size.
- Ventilated cooling system.
- North American standard safety & sanitation.
- Stainless steel drip tray under the evaporator.
- Net weight 300 kg/661.4 lbs & Gross weight 360 kg/793.7 lbs
- Efficient condenser and evaporator made from copper piping with aluminum fin for faster cooling and superior efficiency.
- Bottom mounted sealed systems for cooler operating environment allowing your compressor to work less to keep consistent cool.
- Housing and liner material are durable, food safety friendly, high quality, 300 series stainless steel.
- Temperature ranges from 1° C to 6° C/33° F to 43° F



Watch Our Videos Online:  
[ColdTechCommercial.com/Videos](http://ColdTechCommercial.com/Videos)

## Stainless Steel

Solid, Durable high grade, 300-series, interior and exterior

## Warranty

3 Years bumper to bumper & a total of 5 years warranty on the compressor

## Digital Display

Digital temperature controls on the outside of the unit for easy programming

ColdTechCommercial.com  
Toll free: 1-855-241-3251 FAX: 1-877-298-8278  
email: [info@coldtechcommercial.com](mailto:info@coldtechcommercial.com)





# ColdTech – Culinary Coolness

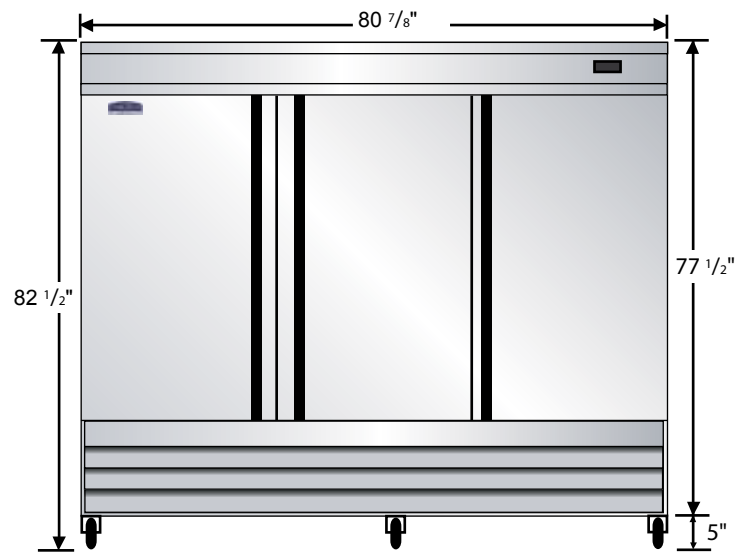
## Stainless Steel Three Door Commercial Refrigerator CRR720-3



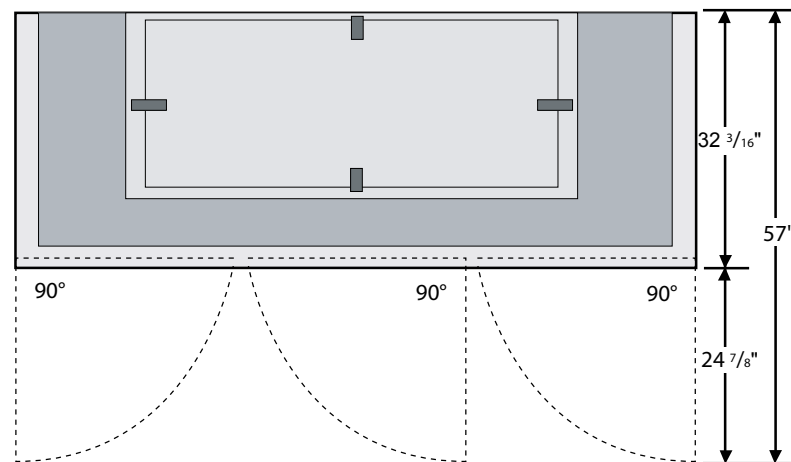
### Specifications:

Voltage: 115 volts/20 amp circuit  
 Amperage: 10.4 amps/856 W  
 Compressor Power: 1054 W  
 Hp: 1-1/2 horsepower  
 dB: 72  
 Free Standing  
 Gross Capacity: 72 cu.ft./2040 L  
 Refrigerant Type:  
 CFC Free R134a  
 Blowing Agent:  
 CFC Free polyurethane  
 Temperature Range:  
 • 1°C to 6°C  
 • 33° F to 43°F  
 Thermostat/Temperature Display:  
 Digital  
 Doors: Self closing, recessed handles, 300 series stainless steel  
 Shelving: Plastic coated steel holds up to 80 kg/176.4 lbs  
 Interior Lighting:  
 1 incandescent yellow bulb  
 Casters: 6  
 Cord Length: 112 3/16"/2850 mm  
 Unit Dimensions (W x H x D):  
 2054 mm x 2095 mm x 818 mm  
 80 7/8" x 82 1/2" x 32 3/16"  
 Carton Dimensions (W x H x D):  
 2115 mm x 2140 mm x 880 mm  
 83 1/4" x 84 1/4" x 34 5/8"  
 Shipping Cube:  
 142.67 cu.ft./4.04 cbm  
 Net Weight: 300 kg /661.4 lbs  
 Gross Weight: 360 kg /793.7 lbs

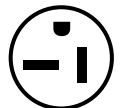
### Elevation:



### Top View:



Plug:



5-20p

Certifications:



Specifications subject to change without notice. 031512

ColdTechCommercial.com

Toll free: 1-855-241-3251 FAX: 1-877-298-8278

email: info@coldtechcommercial.com

