



ColdTech – Culinary Coolness

Highlights:

- Solid, durable, two door, high grade, 300 series, stainless steel interior & exterior (except backs) providing commercial kitchens with a long-lasting, easy to clean salad prep table.
- Digital temperature controls on the outside of the unit for easy programming.
1° C to 6° C/33° F to 43° F
- The **ColdTech Commercial** Warranty: 3 years bumper-to-bumper & a total of 5 years warranty on the compressor. Call **ColdTech Commercial** directly for repairs & service 24/7/365. It's the best warranty in commercial refrigeration.
- We make it easy. Recessed door handles for easy cleaning, auto-defrost, & free standing with four, black casters for easy moving.
- Two movable, plastic coated, steel shelves holding up to 60 kg/132.3 lbs each.

Stainless Steel Two Door Salad Prep Table CST119-60



Features:

- Large gross capacity of 15.1 cu. ft./ 428 L to get the maximum amount of refrigeration per cabinet size.
- Ventilated cooling system.
- North American standard safety & sanitation.
- Stainless steel drip tray under the evaporator.
- Net weight 158 kg/348.3 lbs & Gross weight 204 kg/449.7 lbs.
- Efficient condenser and evaporator made from copper piping with aluminum fin for faster cooling and superior efficiency.
- Housing and liner material are durable, food safety friendly, high quality, 300 series stainless steel.
- Temperature ranges from 1° C to 6° C/33° F to 43° F
- Cutting Board (W x H xD)
60" x ¾" x 10 ½"
1524mm x 19mm x 268mm
- Pans (lids): 16 stainless steel x 1/6



Watch Our Videos Online:
ColdTechCommercial.com/Videos

Stainless Steel

Solid, Durable high grade, 300-series, interior and exterior

Warranty

3 Years bumper to bumper & a total of 5 years warranty on the compressor

Digital Display

Digital temperature controls on the outside of the unit for easy programming

ColdTechCommercial.com
Toll free: 1-855-241-3251 FAX: 1-877-298-8278
email: info@coldtechcommercial.com





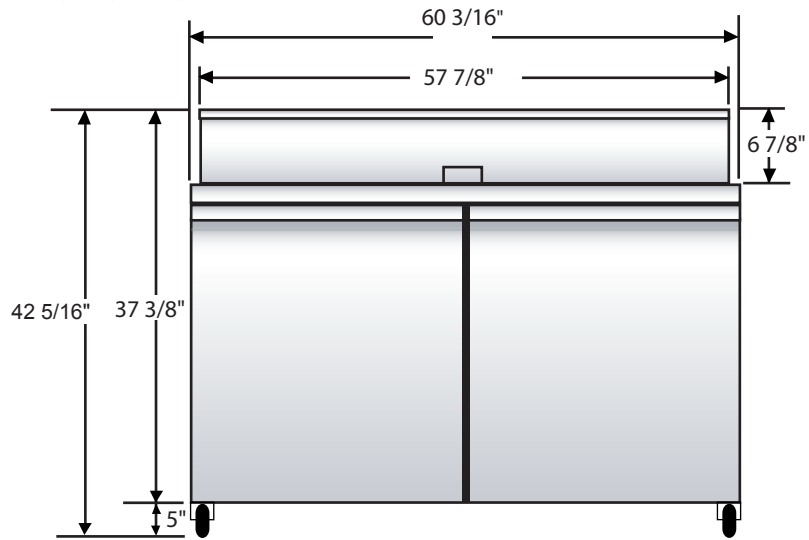
ColdTech – Culinary Coolness

Stainless Steel Two Door Salad Prep Table CST119-60

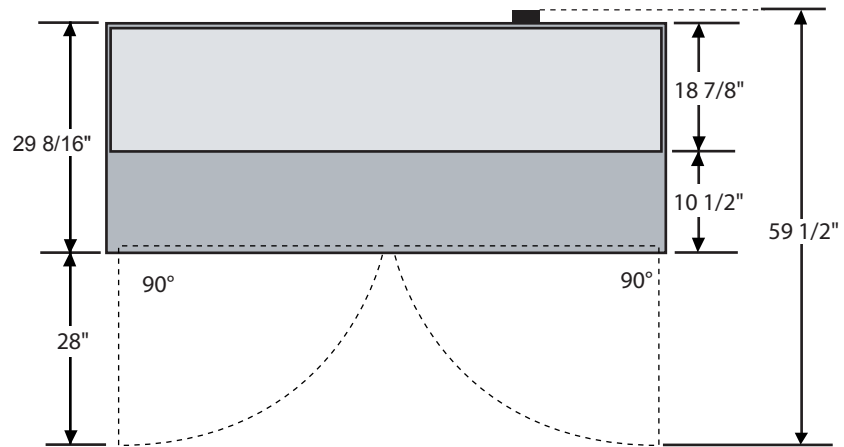
Specifications:

Voltage: 115 volts/20 amp circuit
 Amperage: 7.8 amps/578 W
 Compressor Power: 616 W
 Hp: 5/6 horsepower
 dB: 68
 Free Standing
 Gross Capacity: 15.1 cu. ft./428 L
 Condiment Storage Capacity:
 3.7 cu. ft./105 L
 Refrigerator Capacity:
 11.4 cu. ft./323 L
 Refrigerant Type:
 CFC Free R134a
 Blowing Agent:
 CFC Free polyurethane
 Temperature Range:
 • 1° C to 6° C
 • 33° F to 43° F
 Thermostat/Temperature Display:
 Digital
 Doors: Self closing, recessed
 handles, 300 series stainless steel
 Shelving: Plastic coated steel holds
 up to 60 kg/132.3 lbs
 Casters: 4
 Cord Length: 112 3/16"/2850 mm
 Unit Dimensions (W x H x D):
 1529 mm x 1075 mm x 750 mm
 60 3/16" x 42 5/16" x 29 1/2"
 Carton Dimensions (W x H x D):
 1660 mm x 1170 mm x 880 mm
 65 3/8" x 46 1/16" x 34 5/8"
 Shipping Cube:
 60.39 cu.ft./1.71cbm
 Net Weight: 158 kg /348.3 lbs
 Gross Weight: 204 kg /449.7 lbs

Elevation:



Top View:



Plug:



5-15p

Certifications:



Specifications subject to change without notice. 112212

ColdTechCommercial.com

Toll free: 1-855-241-3251 FAX: 1-877-298-8278

email: info@coldtechcommercial.com

