



# ColdTech – Culinary Coolness

## Stainless Steel One Door Commercial Undercounter Freezer CUF063-27

### Highlights:

- Solid, durable, one door, high grade, 300 series, stainless steel interior & exterior (except backs) providing commercial kitchens with a long-lasting, easy to clean freezer.
- Digital temperature controls on the outside of the unit for easy programming.  
-22° C to -18° C/-8° F to 0° F
- The **ColdTech Commercial** Warranty: 3 years bumper-to-bumper & a total of 5 years warranty on the compressor. Call **ColdTech Commercial** directly for repairs & service 24/7/365. It's the best warranty in commercial refrigeration.
- We make it easy. Recessed door handles for easy cleaning, easy access, auto-defrost, & free standing with four, black casters for easy moving.
- One moveable, plastic coated, steel shelf holding up to 60kg/132.3 lbs each.



### Features:

- Large gross capacity of 6.25 cu. ft. / 177 L to get the maximum amount of refrigeration per cabinet size.
- Ventilated cooling system.
- North American standard safety & sanitation.
- Stainless steel drip tray under the evaporator.
- Net weight 81 kg/178.6 lbs & Gross weight 98 kg/216.1 lbs
- Efficient condenser and evaporator made from copper piping with aluminum fin for faster cooling and superior efficiency.
- Housing and liner material are durable, food safety friendly, high quality, 300 series stainless steel.
- Sealed systems for cooler operating environment allowing your compressor to work less to keep consistent cool
- Temperature ranges from -22° C to -18° C/-8° F to 0° F



Watch Our Videos Online:  
[ColdTechCommercial.com/Videos](http://ColdTechCommercial.com/Videos)

### Stainless Steel

Solid, Durable high grade, 300-series, interior and exterior

### Warranty

3 Years bumper to bumper & a total of 5 years warranty on the compressor

### Digital Display

Digital temperature controls on the outside of the unit for easy programming

ColdTechCommercial.com  
Toll free: 1-855-241-3251 FAX: 1-877-298-8278  
email: [info@coldtechcommercial.com](mailto:info@coldtechcommercial.com)





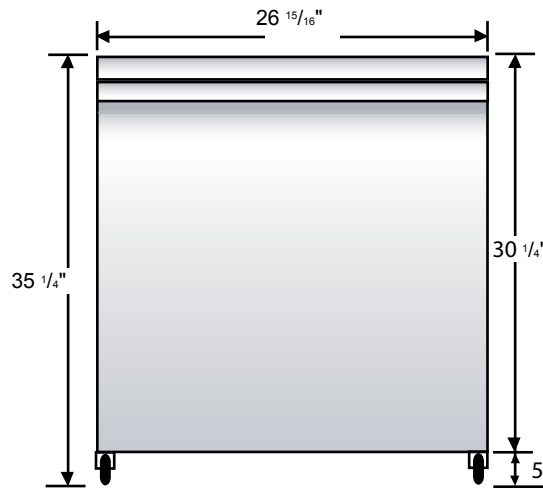
# ColdTech – Culinary Coolness

## Specifications:

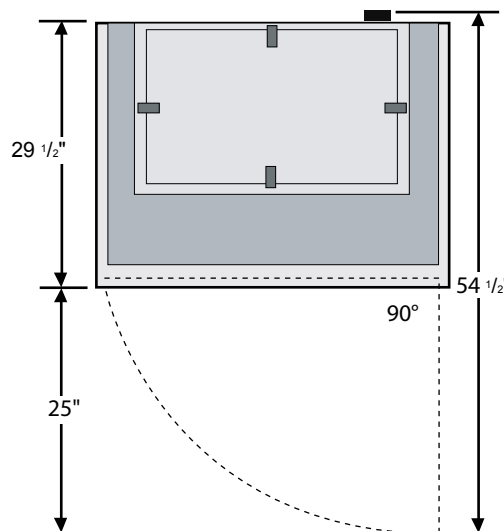
Voltage: 115 volts/20 amp circuit  
 Amperage: 6.3 amps/391 W  
 Compressor Power: 323 W  
 Hp: 3/7 horsepower  
 dB: 60  
 Free Standing  
 Gross Capacity: 6.25 cu. ft./177 L  
 Refrigerant Type:  
 CFC Free R404a  
 Blowing Agent:  
 CFC Free polyurethane  
 Temperature Range:  
 • -22° C to -18° C  
 • -8° F to 0° F  
 Thermostat/Temperature Display:  
 Digital  
 Doors: Self closing, recessed handles, 300 series stainless steel  
 Shelving: Plastic coated steel holds up to 60 kg/132.3 lbs  
 Casters: 4  
 Cord Length: 112 3/16"/2850 mm  
 Unit Dimensions (W x H x D):  
 685 mm x 895 mm x 750 mm  
 26 15/16" x 35 1/4" x 29 1/2"  
 Carton Dimensions (W x H x D):  
 755 mm x 980 mm x 820 mm  
 29 3/4" x 38 9/16" x 32 5/16"  
 Shipping Cube:  
 21.54 cu.ft/0.61 cbm  
 Net Weight: 81 kg /178.6 lbs  
 Gross Weight: 98 kg /216.1 lbs

## Stainless Steel One Door Commercial Undercounter Freezer CUF063-27

### Elevation:



### Top View:



Plug:



5-15p

Certifications:



Specifications subject to change without notice. 031512

ColdTechCommercial.com  
 Toll free: 1-855-241-3251 FAX: 1-877-298-8278  
 email: info@coldtechcommercial.com

